

Sara Stedy
Parts List



CE

General Information

PART LIST REVISION HISTORY

Revision	Change	Serial		Affected pages
		From	To	
0	Initial release	NTB-00000	NTB-01779	
1	Pin Leg Pivot Lock integrated with the base	NTB-01780 or 3*****	...	
2	Review of the Base Replacement Kit	N/A	N/A	7, 9, 11
3	Rear caster replacement kit (Part No changed) Serial Number (Codification changed)	N/A	N/A	7 3
4	Left and Right handle replacement kits (Included components)	N/A	N/A	7
5	Manufacturer's address change	N/A	N/A	12

Design Policy and Copyright

® and ™ are trademarks belonging to the ArjoHuntleigh group of companies.
© ArjoHuntleigh 2014.

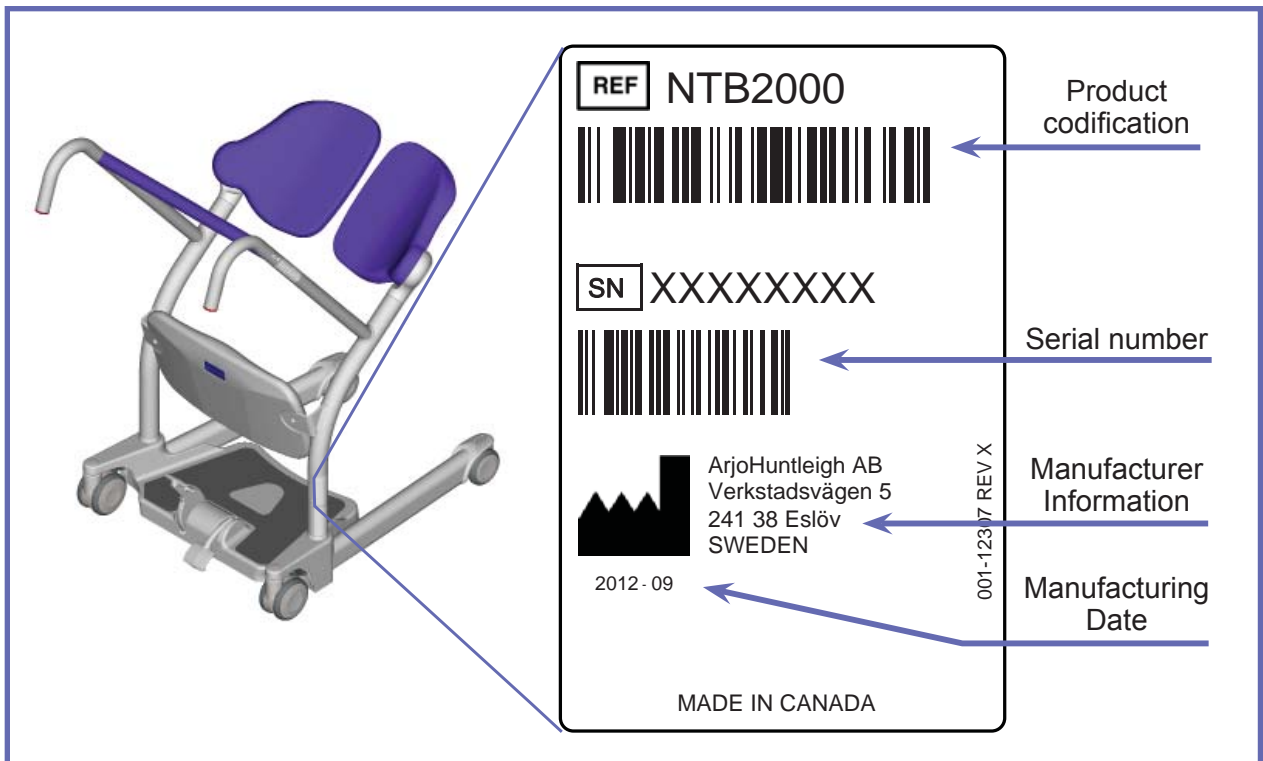
As our policy is one of continuous improvement, we reserve the right to modify designs without prior notice. The content of this publication may not be copied either whole or in part without the consent of ArjoHuntleigh.

Before ordering spare parts, study the exploded view closely and make sure that you are familiar with all the spare parts involved.

Before contacting the ArjoHuntleigh Parts Sales department, always have the following information at hand:

- Correct name of the product (see Product Identification Label below).
- The serial number of the product (see Product Identification Label below).

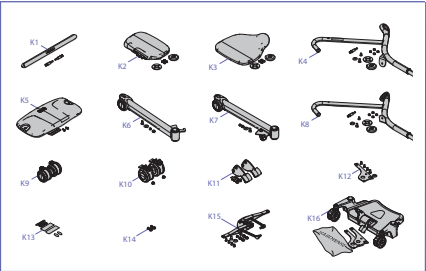
Product Identification Label



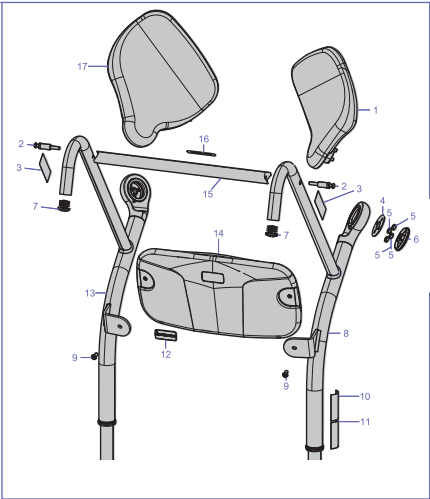
Modifications made to the equipment without ArjoHuntleigh's express acknowledgement will invalidate supplier's product liability.

Table of Contents

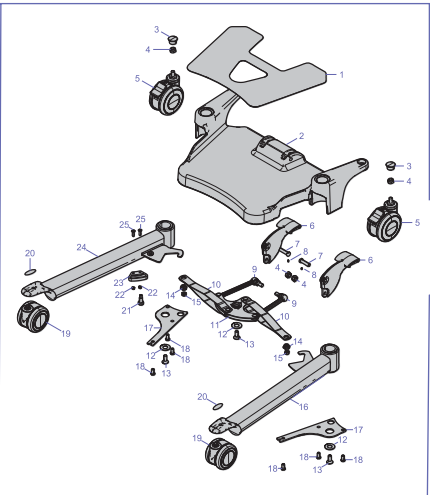
- General Information2
- How to Read Parts List Tables6
- Exploded Views7
 - A - Replacement Kits7
 - B - Chassis8
 - C - Base Assembly10



“A - Replacement Kits” on page 7.



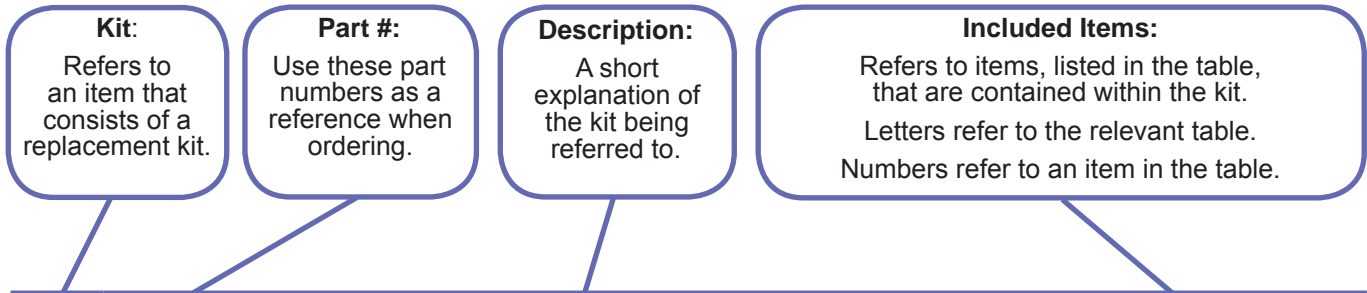
“B - Chassis” on page 8.



“C - Base Assembly” on page 10.

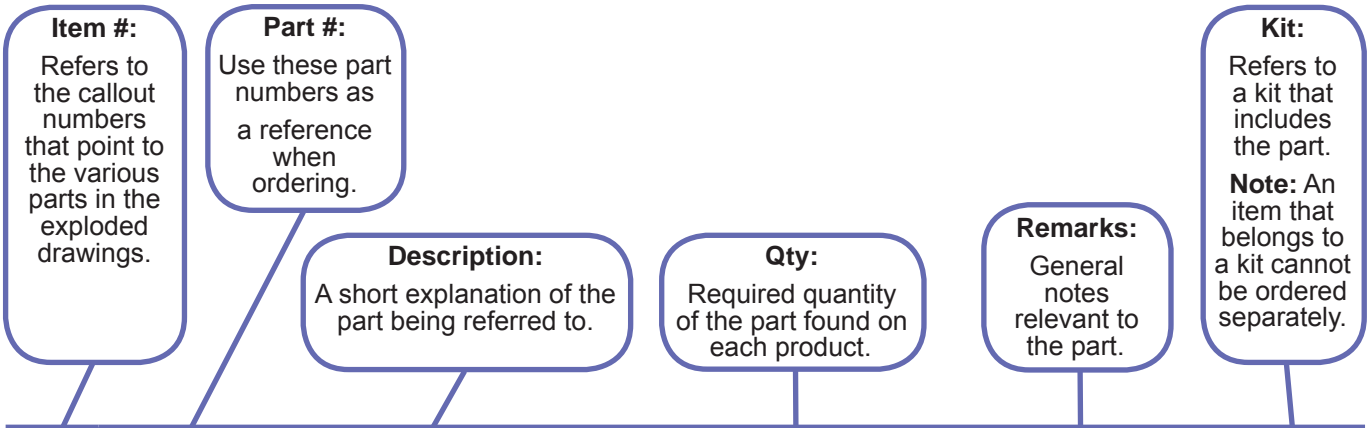


How to Read Parts List Tables



A *REPLACEMENT KITS TABLE*

Item	Part #	Description	Included Items
K1	700-00001	FIRST REPLACEMENT KIT	B2
K2	700-00002	SECOND REPLACEMENT KIT	B6-B7
K3	700-00003	THIRD REPLACEMENT KIT	B1, B3-B4
K4	700-00004	FOURTH REPLACEMENT KIT	B5



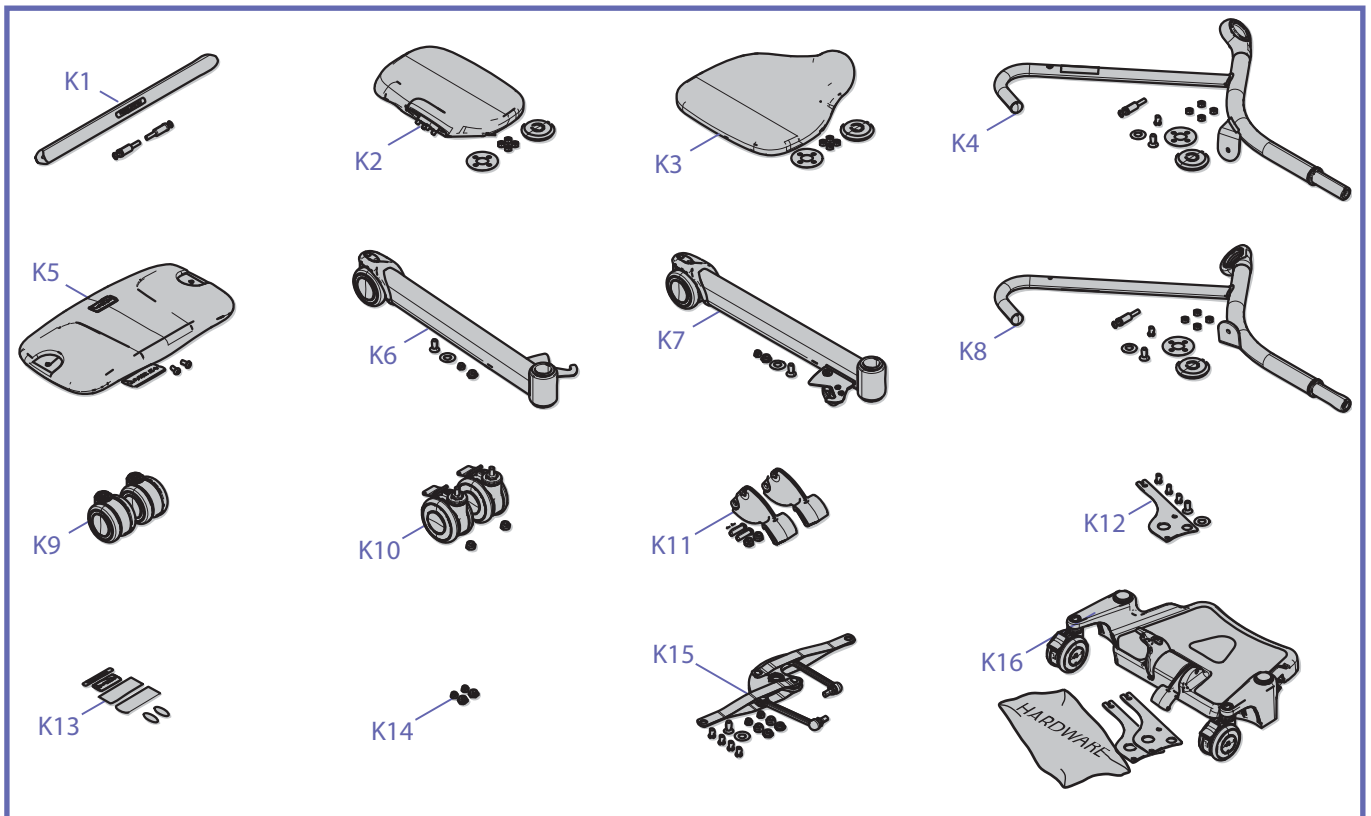
B *PARTS DETAIL TABLE*

Item	Part #	Description	Qty	Remarks	Kit
1	001-00001	FIRST PART	2		K3
2	001-00002	SECOND PART	2		K1
3	001-00003	THIRD PART	2		K3
4	001-00004	FOURTH PART	1		K3
5	001-00005	FIFTH PART	2		K4
6	001-00006	SIXTH PART	8		K2
7	001-00007	SEVENTH PART	2		K2

Legend

- 1 → Callout for single item
- ① --- Callout for assembly kit
- Assembly lines above components
- Assembly lines behind components
- Text in Green Highlights changes from previous revision

A - Replacement Kits



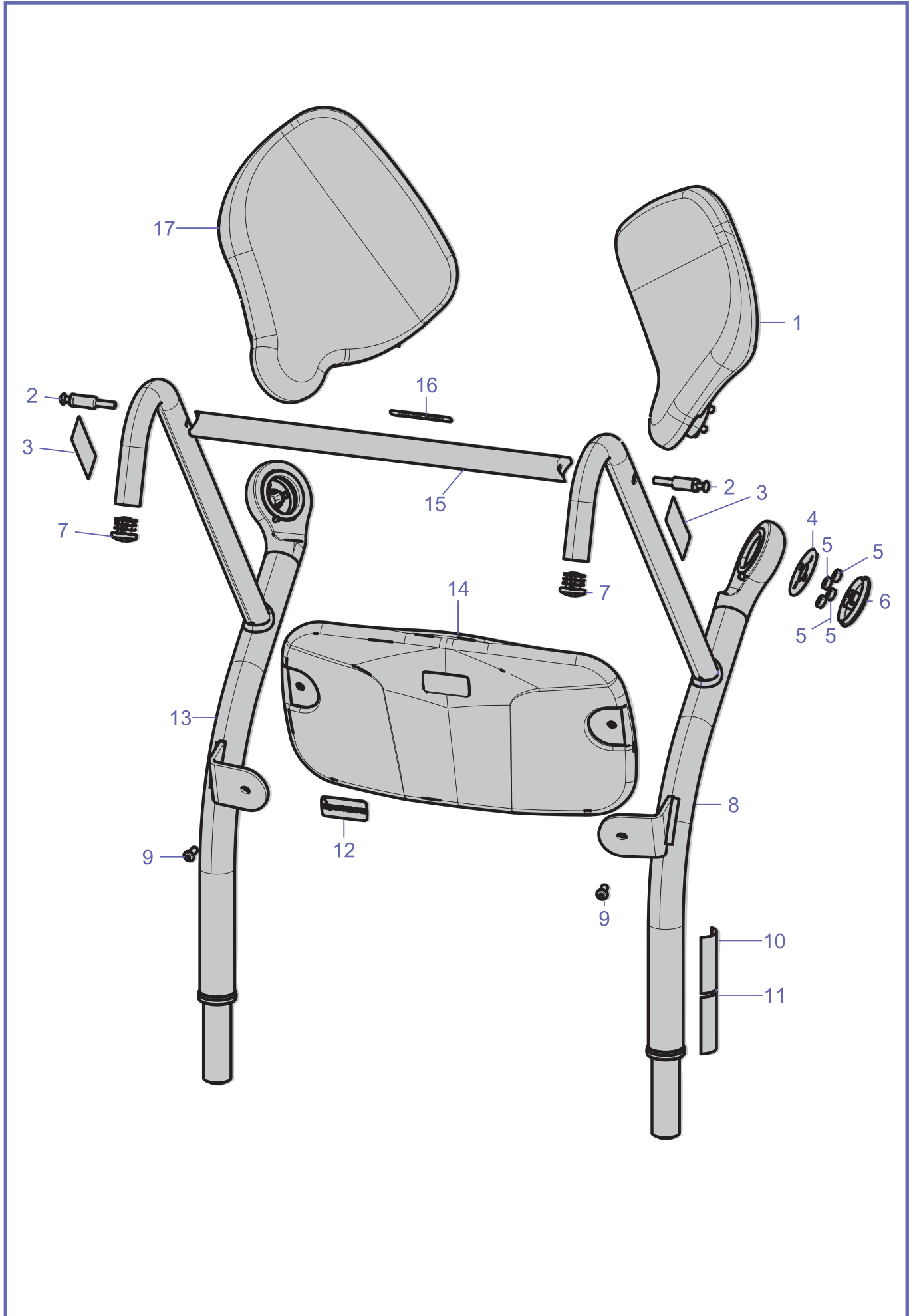
A REPLACEMENT KITS			
ITEM	PART #	DESCRIPTION	INCLUDED ITEMS
K1	700-12353	HANDLE BAR REPLACEMENT KIT	B2, B15-B16
K2	700-12371	LEFT SEAT REPLACEMENT KIT	B4-B6, B17
K3	700-12370	RIGHT SEAT REPLACEMENT KIT	B1, B4-B6
K4	700-12347	RIGHT HANDLE REPLACEMENT KIT	B2-B9, C12-C13
K5	700-12343	KNEEPAD REPLACEMENT KIT	B9, B12, B14
K6	700-12389	LEFT LEG REPLACEMENT KIT	C12-C16, C19-C20
K7	700-12330	RIGHT LEG REPLACEMENT KIT	C12-C15, C19-C20, C22-C25
K8	700-12348	LEFT HANDLE REPLACEMENT KIT	B2-B7, B9, B13, C12-C13
K9	700-00089	FRONT CASTER REPLACEMENT KIT	C19
K10	700-00094	REAR CASTER REPLACEMENT KIT	C4-C5
K11	700-12333	PEDAL REPLACEMENT KIT	C4, C6-C8
K12	700-12327	UNION PLATE REPLACEMENT KIT	C12-C13, C17-C18
K13	700-12324	SARA STEDY LABEL REPLACEMENT KIT	B3, B12, B16, C20
K14	700-12384	ADJUSTMENT CAM REPLACEMENT KIT	C14-C15
K15	700-12395	LEG OPENNING MECHANISM REPLACEMENT KIT	C4, C9-C15, C18
K16	700-12325	BASE REPLACEMENT KIT	C1-C8, C12-C15, C17-C18



Instruction For Use № 001-12325-**

** Last 2 characters varies according to document's language

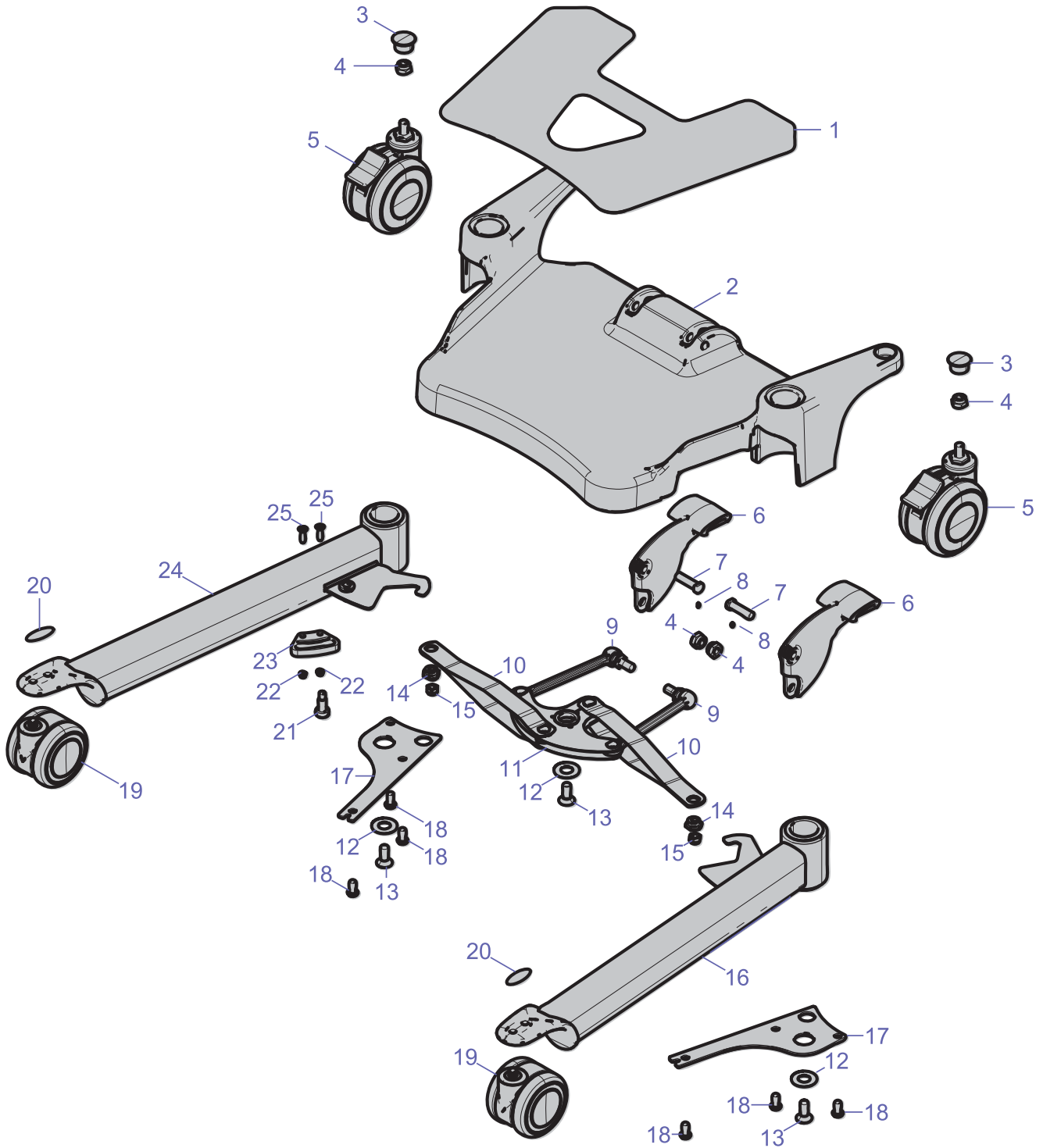
B - Chassis



B**CHASSIS**

ITEM	PART #	DESCRIPTION	QTY	REMARKS	KIT
1	200-12370	SEAT CUSHION ASSY, SARA STEDY, RIGHT	1		K3
2	NTX01130.0	LIFT KNOB	2		
3	001-00312	LABEL, CLIP INSTRUCTION, VERTICAL	2		
4	203-12361	SEAT RING	2		K2, K3
5	000-03791	NUT M8 ZINC AHESIVE	8		
6	200-12360	SEAT CAP	2		
7	200-12397	TUBE PLUG 31.75MM	2		
8	600-12347	HANDLE, SARA STEDY, RIGHT	1		K4
9	000-03611	SCREW M8 X 16 BUTTON ZINC ADHESIVE	2		
10	001-12306	SARA STEDY SWL LABEL	1	NOT REPLACEABLE	
11	001-12307	SARA STEDY CSA STICKER	1	NOT REPLACEABLE	
12	8418701	LABEL ARJOHUNTLEIGH (L) 62X27.5	1		
13	600-12348	HANDLE, SARA STEDY, LEFT	1		K8
14	200-12322	KNEEPAD CUSHION ASSY, SARA STEDY	1		K5
15	239-12353	CROSS BAR, SARA STEDY	1		K1
16	001-12300	STICKER, SARA STEDY	1		K13
17	200-12371	SEAT CUSHION ASSY, SARA STEDY, LEFT	1		K2

C - Base Assembly



C

BASE ASSEMBLY

ITEM	PART #	DESCRIPTION	QTY	REMARKS	KIT
1	700-12326	CARPET, SARA STEDY	1		
2	236-12325	BASE, SARA STEDY	1		K16
3	200-12329	CAP PLASTIC M10 BOLT	2		
4	000.04410	LOCKNUT M10 ZINC	4		
5	000.20485	WHEEL, Ø100mm, TOTAL LOCK, LT GREY	2		K10
6	200-12333	PEDAL	2		K11
7	203-12342	PEDAL AXIS	2		K11
8	010-03031	SETSCREW M6 X 16 CONE POINT SS	2		
9	200-12312	DOUBLE JOINT ASSEMBLY	2		K15
10	203-12339	LINK TO LEG ASSY	2		K15
11	203-12336	LEG MOVEMENT MAIN PLATE	2		K15
12	203-12373	FLAT WASHER W/COUNTER SINK M10	3		K12
13	000.04095	SCREW M10 X 25 ZP FLAT ADHESIVE	3		
14	200-12384	ADJUSTMENT CAM	2		K14
15	000.03800	LOCKNUT M8 ZINC	2		
16	600-12389	LEG ASSY, SARA STEDY, LEFT	1		K6
17	203-12327	UNION PLATE	2		K12
18	000-03611	SCREW M8 X 16 BUTTON ZINC ADHESIVE	8		
19	000.20475	WHEEL, Ø86mm, SWIVEL, LT GREY	2		K9
20	001-12302	STICKER, LEG CASTOR TIP	2		K13
21	200-12395	PIN LEG PIVOT LOCK	1	Integrated with item #2 (From Serial № NTB-01780 & up)	
22	000.02800	LOCKNUT M5 ZINC	2		
23	200-12394	LOCK, LEG PIVOT	1		K7
24	600-12330	LEG ASSY, SARA STEDY, RIGHT	1		K7
25	010.02585	SCREW M5 X 20 FLAT SS	2		

ARJOHUNTLEIGH

GETINGE GROUP

GETINGE GROUP is a leading global provider of products and systems that contribute to quality enhancement and cost efficiency within healthcare and life sciences. We operate under the three brands of **ArjoHuntleigh**, **GETINGE** and **MAQUET**. **ArjoHuntleigh** focuses on patient mobility and wound management solutions. **GETINGE** provides solutions for infection control within healthcare and contamination prevention within life sciences. **MAQUET** specializes in solutions, therapies and products for surgical interventions and intensive care.



ArjoHuntleigh AB
Hans Michelsensgatan 10
211 20 Malmö
SWEDEN